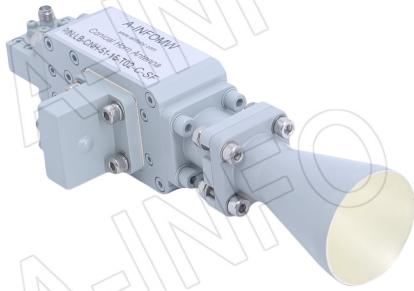


For reference only. See data sheet for the detailed specifications.

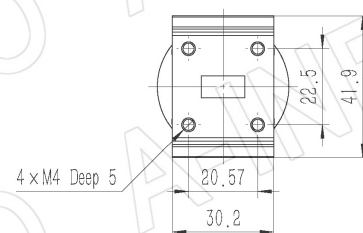
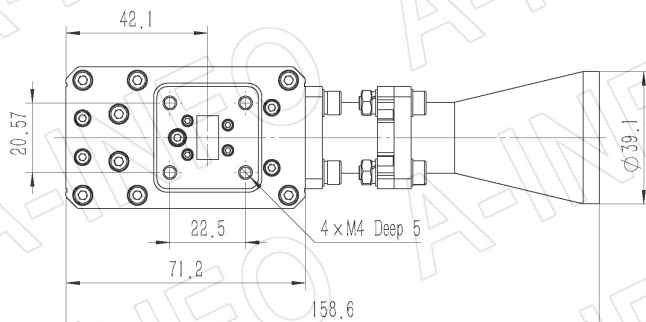
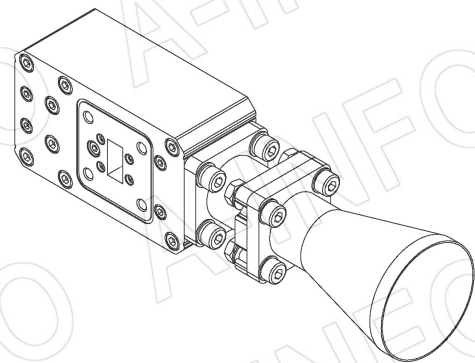
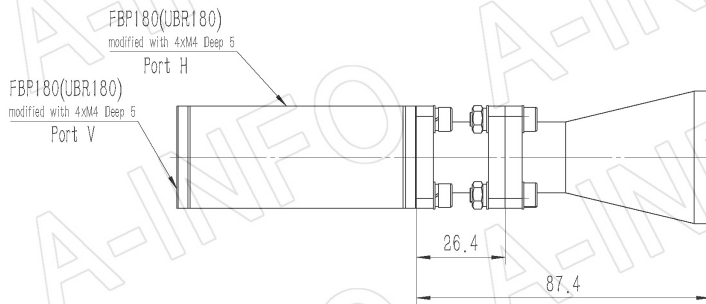
Technical Specification



Frequency Range(GHz)	15.0 – 22.0
Waveguide	WR51
Gain(dBi)	15 Typ.
Polarization	Dual Linear
3dB Beamwidth(deg)	E Plane: 25 Typ.
	H Plane: 31 Typ.
Cross Pol. Isolation(dB)	40 Typ.
Port to Port Isolation(dB)	50 Typ. ; 40 Min.
VSWR	A Type: 1.60:1 Max.
	C Type: 1.80:1 Max.
Output	A Type: FBP180(UBR180) (modified with 4xM4 D5)
	C Type: SMA-Female
Material	Al
Finish	Sliver Plated, Gray Paint
Size(mm)	A Type: 39.1 x 41.9 x 158.6
	C Type: 61.7 x 41.9 x 185.6
Net Weight(Kg)	A Type: 0.31 Around
	C Type: 0.51 Around

Outline Drawing (Size: mm)

FBP180 Output (P/N: LB-CNH-51-15-T02-A)



AINFO Inc.

China(Beijing): Tel: (+86) 10-6266-7326,
China(Chengdu): Tel: (+86) 28-8519-2786,
USA: Tel: (+1) 949-639-9688,

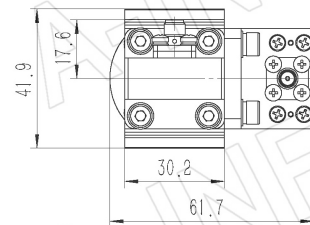
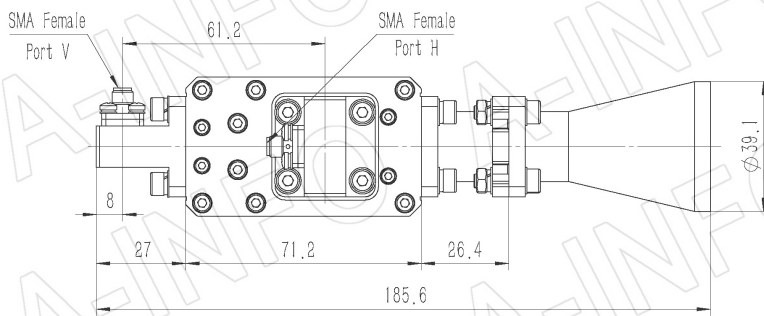
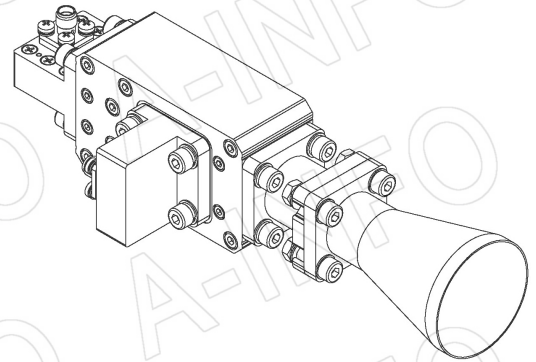
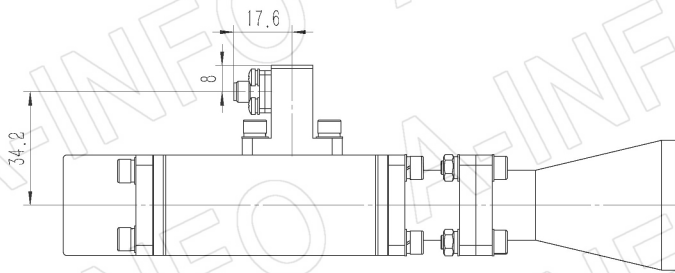
(+86) 10-6266-7327
(+86) 28-8519-3044
(+1) 949-639-9608

Page 1 of 10

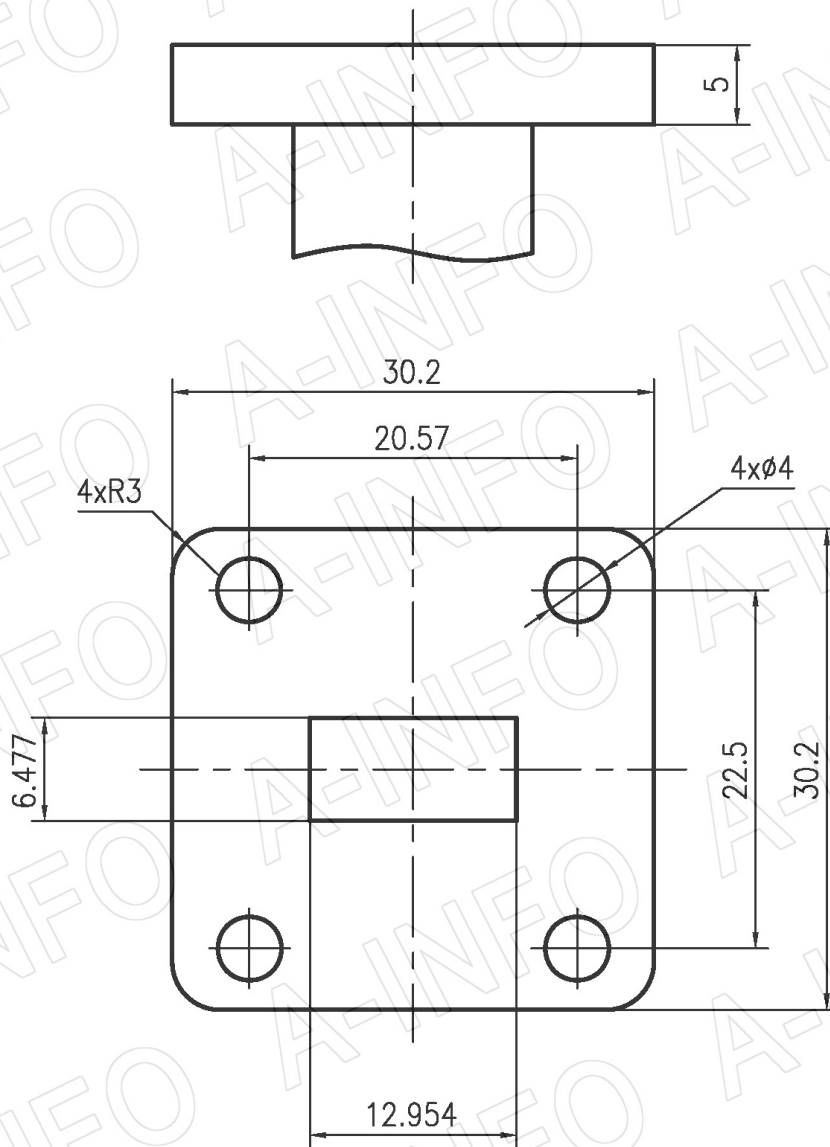
Fax: (+86) 10-6266-7379
Fax: (+86) 28-8519-3068
Fax: (+1) 949-639-9670

Website: www.ainfoinc.com
Email: sales@ainfoinc.com

SMA-Female Output (P/N: LB-CNH-51-15-T02-C-SF)



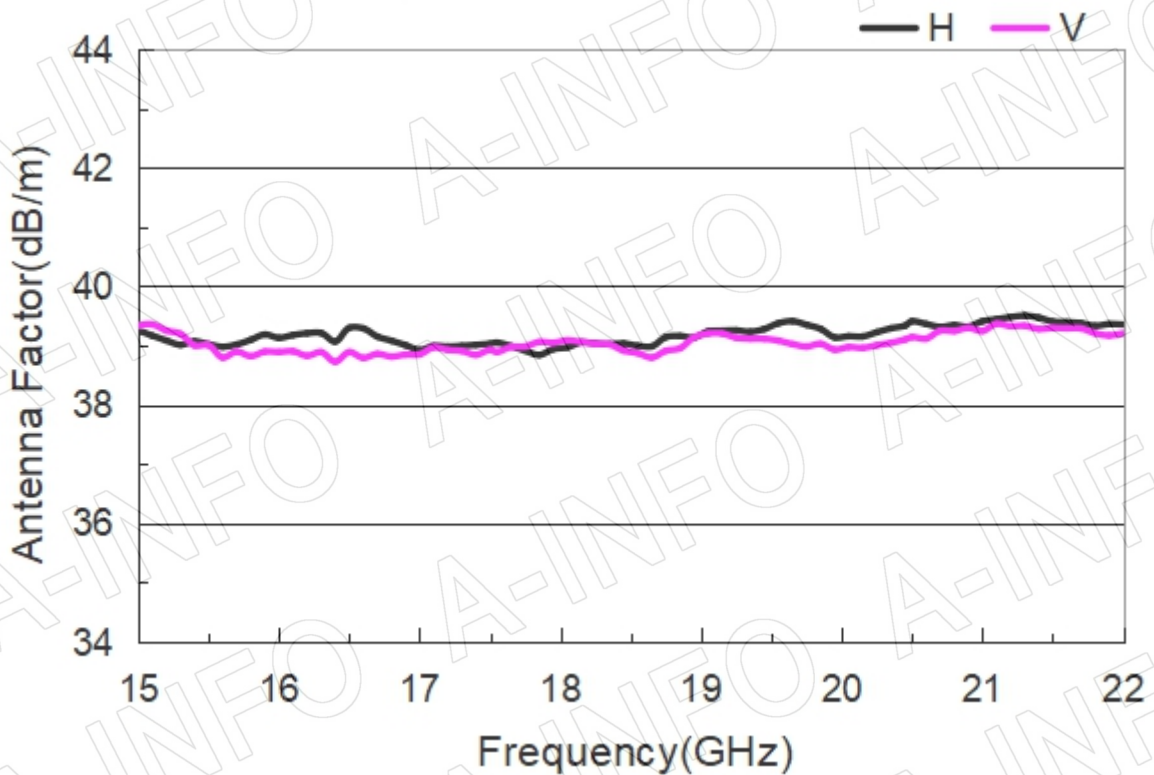
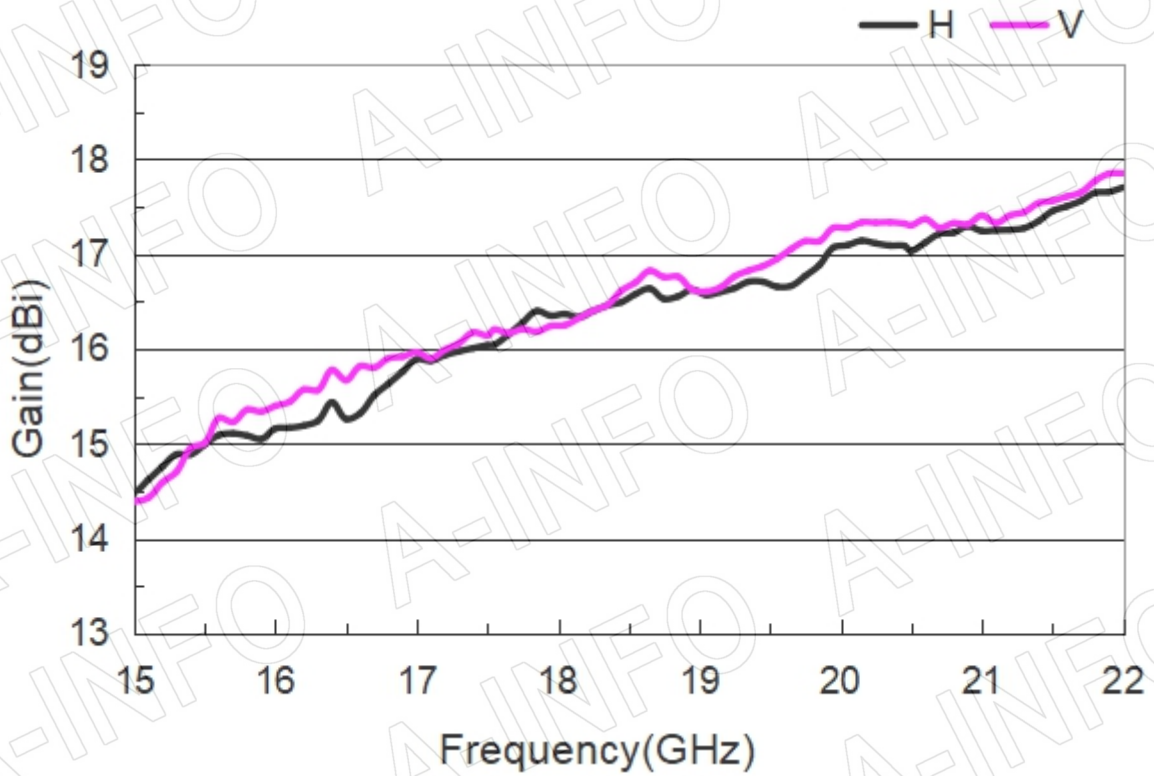
Flange Drawing (Size: mm)



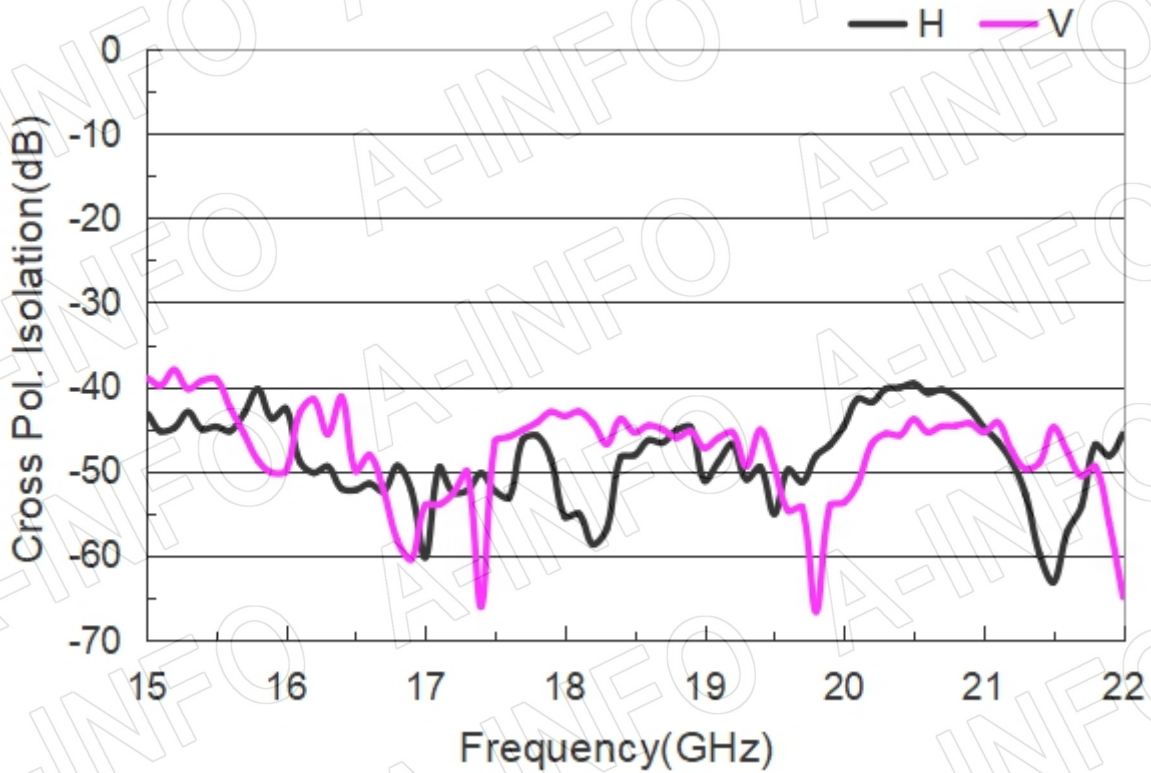
FBP180

Test Results

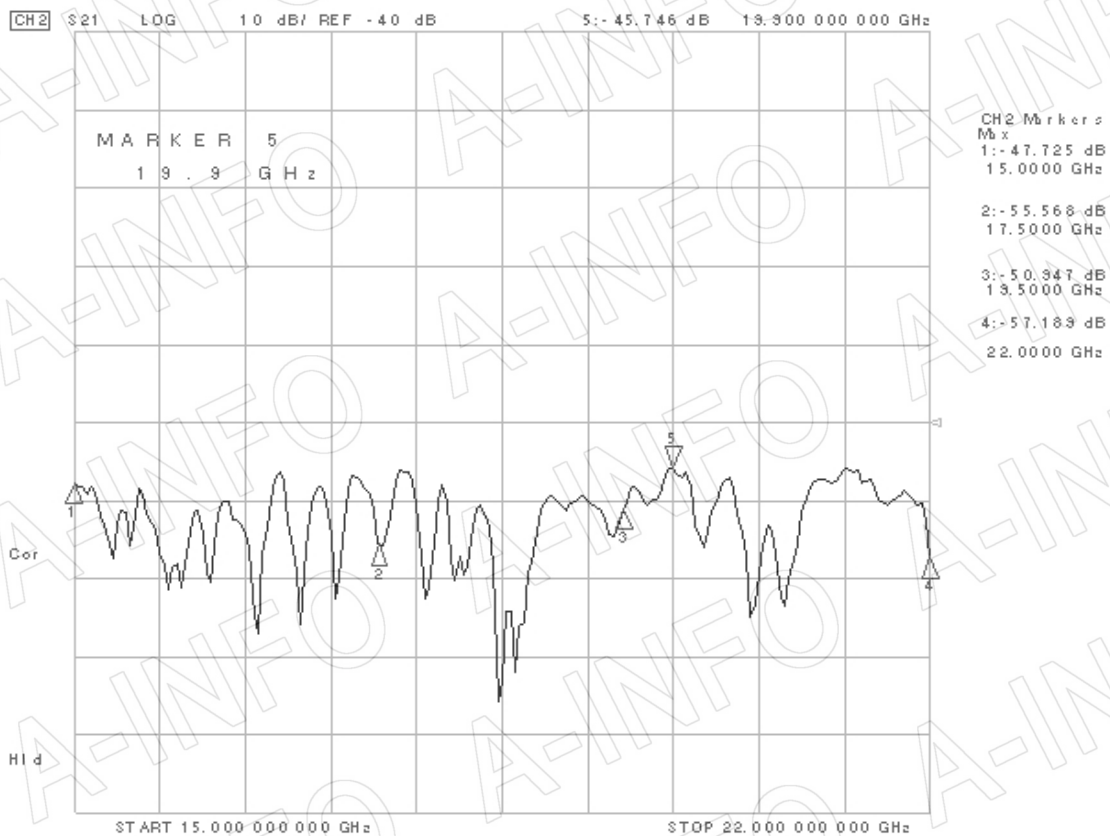
1. Gain & Antenna Factor



2. Cross Polarization Isolation

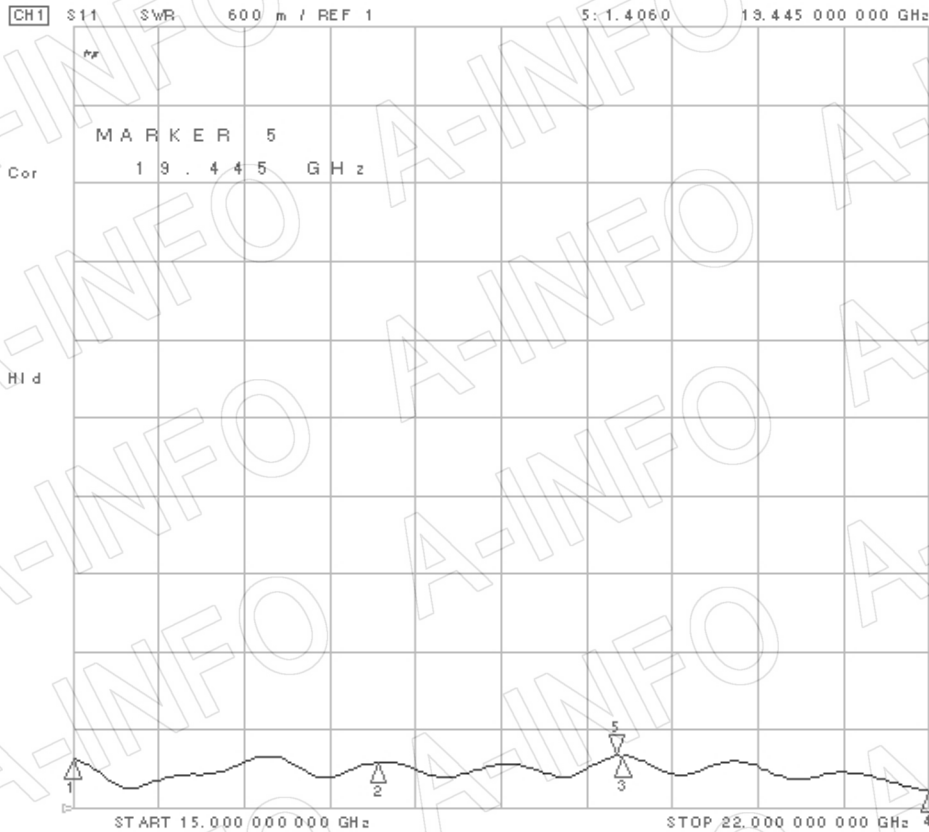


3. Port to Port Isolation

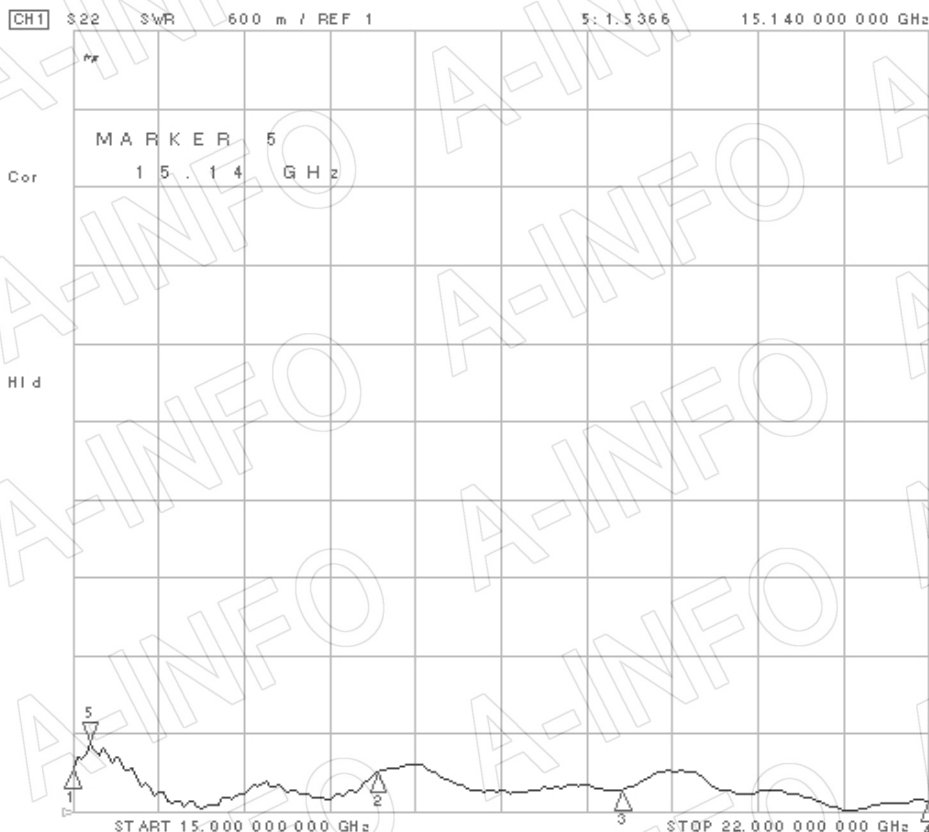


4. VSWR_A Type

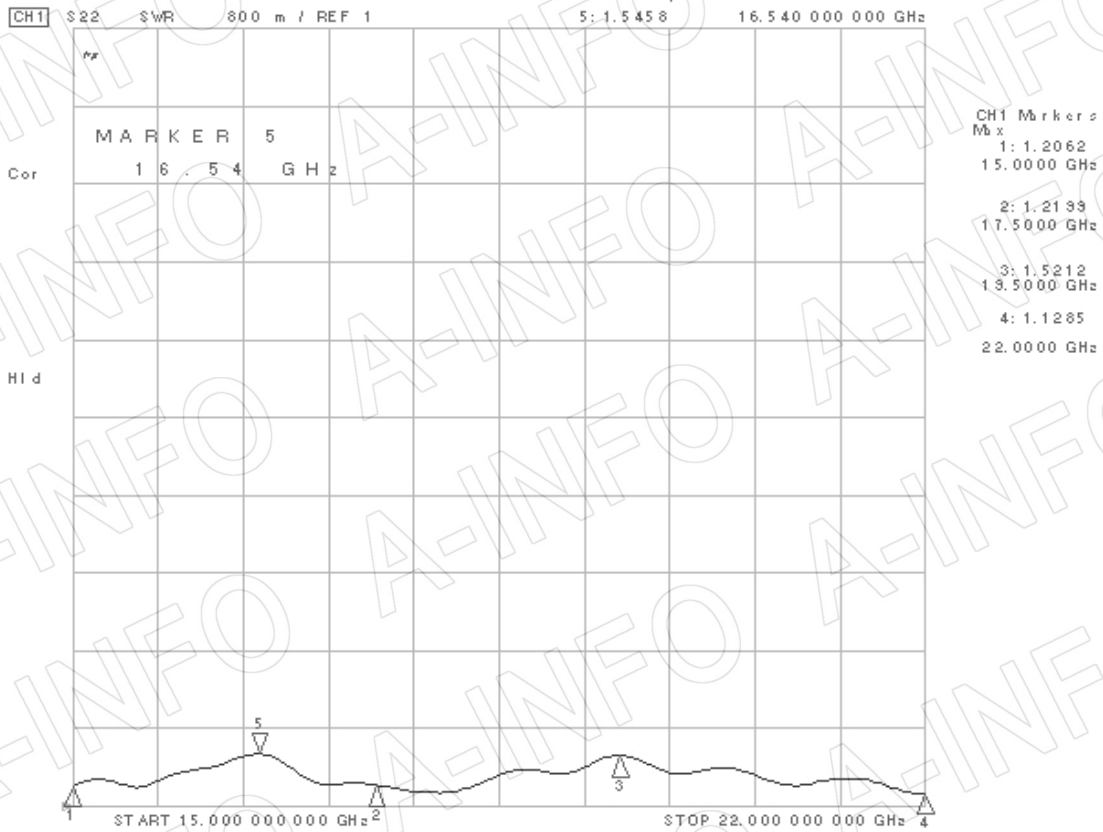
Port-H



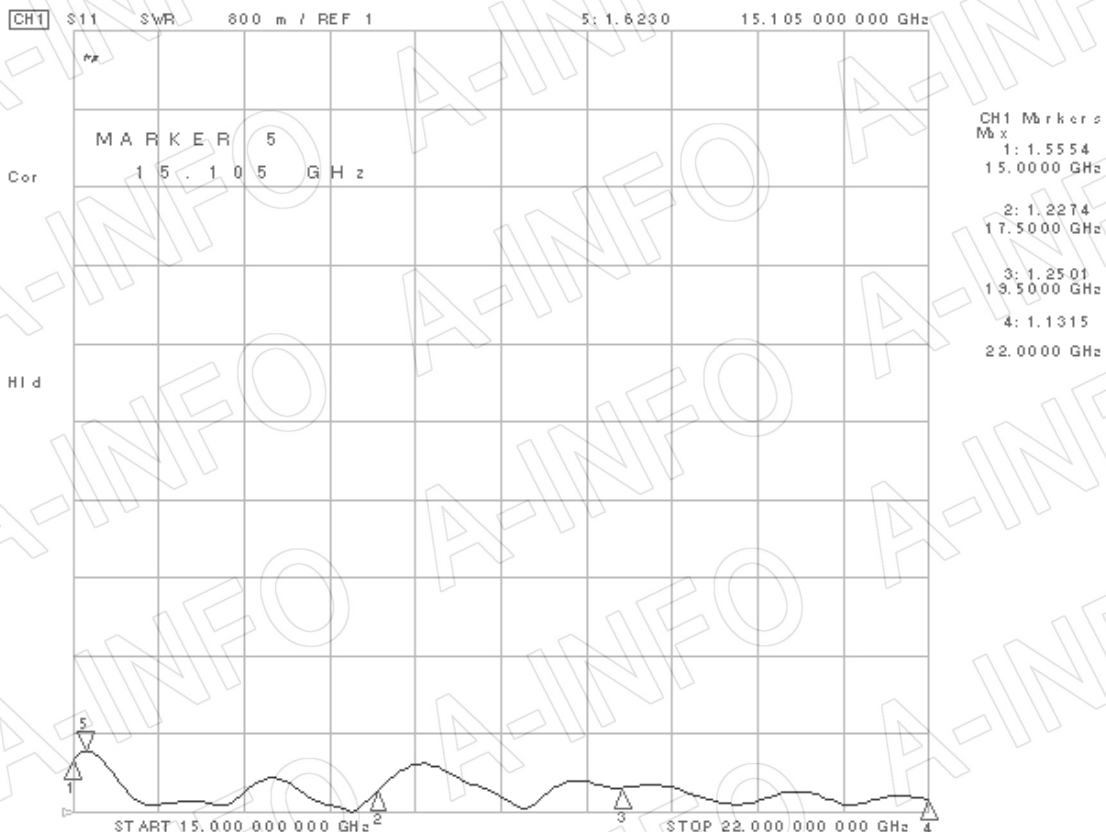
Port-V



VSWR_C Type Port-H



Port-V



5. Pattern

